

# 單相低壓模鑄型乾式變壓器 / 特性表

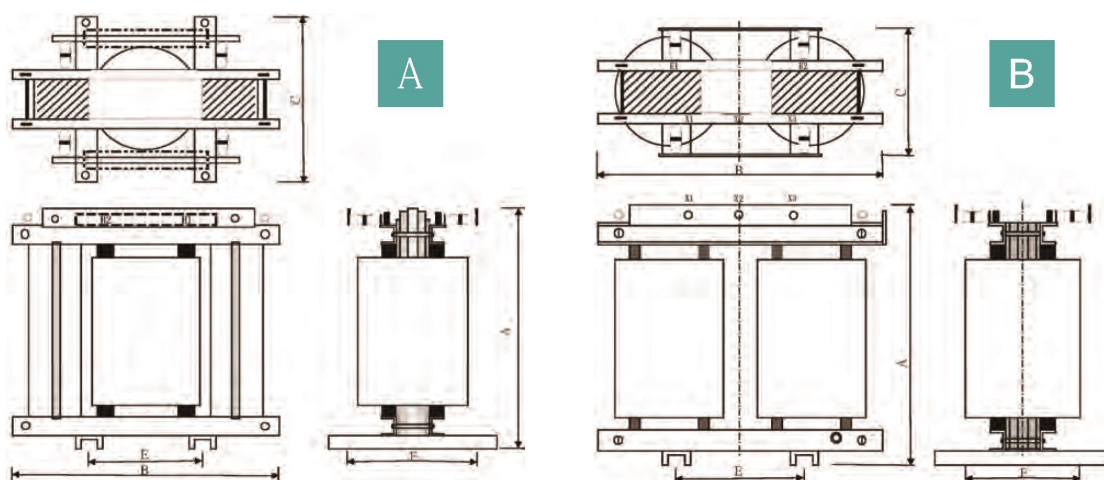
## SINGLE PHASE CAST RESIN TRANSFORMERS SPECIFICATION

1. 相數：1 相 / NO. of phase：1
2. 額定電壓：一、二次電壓均600V以下 / Rated voltage：Under 600V(for HV and LV)
3. 依據標準：CNS 13390或IEC 60076-11 / Standard：CNS 13390 OR IEC 60076-11
4. 溫升限制：80°C (B Class);100°C (F Class)  
Temp rise：80°C (B Class);100°C (F Class)
5. 頻率：60Hz / Frequency：60Hz
6. 效率、負載損、電壓變動率、阻抗電壓以換算至75°C為基準  
Efficiency、Load loss、Voltage regulation and Impedance based on 75°C
7. 表列特性為參考值，各項特性請以認可資料或試驗報告為主  
The listed characteristics are only for reference, Each specific characteristics on delivered Transformers are as approval or test report.

| 相數<br>Phase | 容量<br>Rated Capacity<br>kVA | 損失(W) Losses   |                  | 效率<br>Efficiency<br>$\eta$ (%) | 電壓調整率<br>Voltage regulation<br>$\varepsilon$ (%) | 激磁電流<br>Exciting current<br>$I_o$ (%) | 阻抗電壓<br>Impedance<br>IZ (%) | 噪音<br>Noise<br>dB(A) |
|-------------|-----------------------------|----------------|------------------|--------------------------------|--|---------------------------------------|-----------------------------|----------------------|
|             |                             | 無載損<br>No-load | 全損失<br>Full Loss |                                |  |                                       |                             |                      |
| 1           | 1                           | 30             | 100              | 90.91                          | 5.6  | 9.0                                   | 4.5以下                       | 54                   |
|             | 3                           | 65             | 205              | 93.60                          | 4.7  | 7.5                                   | 4.5以下                       | 54                   |
|             | 5                           | 75             | 280              | 94.70                          | 4.1  | 7.5                                   | 4.5以下                       | 54                   |
|             | 7.5                         | 85             | 360              | 95.42                          | 3.7  | 7.0                                   | 4.5以下                       | 54                   |
|             | 10                          | 110            | 420              | 95.97                          | 3.1  | 7.0                                   | 4.5以下                       | 54                   |
|             | 15                          | 130            | 510              | 96.71                          | 2.5  | 6.5                                   | 4.5以下                       | 54                   |
|             | 20                          | 160            | 650              | 96.81                          | 2.5  | 6.5                                   | 4.5以下                       | 54                   |
|             | 25                          | 190            | 760              | 97.05                          | 2.3  | 6.0                                   | 4.5以下                       | 54                   |
|             | 30                          | 220            | 910              | 97.06                          | 2.3  | 6.0                                   | 4.5以下                       | 54                   |
|             | 37.5                        | 270            | 1020             | 97.35                          | 2.0  | 5.5                                   | 4.5以下                       | 54                   |
|             | 50                          | 330            | 1230             | 97.60                          | 1.8  | 5.5                                   | 4.5以下                       | 54                   |
|             | 75                          | 420            | 1720             | 97.75                          | 1.8  | 5.0                                   | 2.5-5.5                     | 56                   |
|             | 100                         | 500            | 2100             | 97.95                          | 1.7  | 5.0                                   | 2.5-5.5                     | 56                   |
| 150         | 600                         | 2480           | 97.99            | 1.6                            | 4.5  | 2.5-5.5                               | 58                          |                      |

# 單相低壓模鑄型乾式變壓器 / 外型圖

## SINGLE PHASE CAST RESIN TRANSFORMERS OUTLINE DRAWING



圖面資料為參考, 實際依認可製造圖面為主

The listed dimensions are only for reference, Real dimensions should follow the Approval Drawing.

| 相數<br>Phase | 容量<br>Rated Capacity<br>kVA | 一次電壓<br>Primary Voltage<br>V | 二次電壓<br>Secondary Voltage<br>V | 外形尺寸<br>Outline Dimension<br>mm |     |     |     |     | 重量<br>Weight<br>Kg | 圖例<br>Drawing |
|-------------|-----------------------------|------------------------------|--------------------------------|---------------------------------|-----|-----|-----|-----|--------------------|---------------|
|             |                             |                              |                                | A                               | B   | C   | E   | F   |                    |               |
| 1           | 1                           | 600<br>以下                    | 600<br>以下                      | 280                             | 280 | 220 | 140 | 200 | 30                 | A             |
|             | 3                           |                              |                                | 300                             | 350 | 300 | 190 | 250 | 50                 | A             |
|             | 5                           |                              |                                | 360                             | 350 | 300 | 190 | 250 | 60                 | A             |
|             | 7.5                         |                              |                                | 410                             | 350 | 300 | 190 | 250 | 80                 | A             |
|             | 10                          |                              |                                | 410                             | 400 | 350 | 250 | 300 | 100                | A             |
|             | 15                          |                              |                                | 460                             | 400 | 350 | 250 | 300 | 130                | A             |
|             | 20                          |                              |                                | 540                             | 400 | 350 | 250 | 300 | 150                | A             |
|             | 25                          |                              |                                | 620                             | 400 | 400 | 250 | 350 | 160                | B             |
|             | 30                          |                              |                                | 640                             | 460 | 400 | 250 | 350 | 180                | B             |
|             | 37.5                        |                              |                                | 700                             | 500 | 450 | 250 | 400 | 240                | B             |
|             | 50                          |                              |                                | 720                             | 550 | 450 | 250 | 400 | 280                | B             |
|             | 75                          |                              |                                | 820                             | 600 | 500 | 300 | 450 | 350                | B             |
|             | 100                         |                              |                                | 850                             | 620 | 500 | 300 | 450 | 450                | B             |
| 150         | 1050                        | 700                          | 600                            | 450                             | 500 | 550 | B   |     |                    |               |